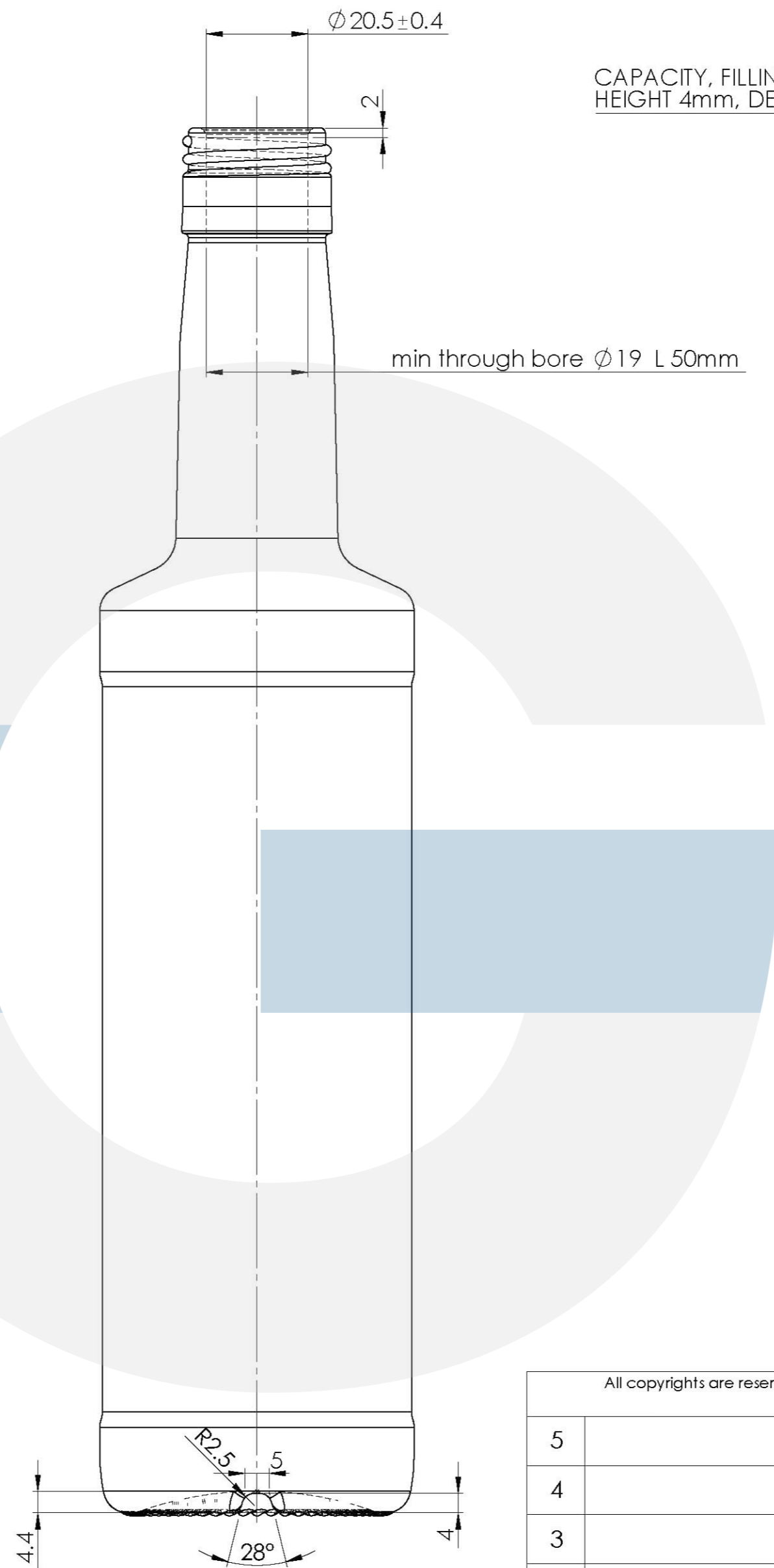
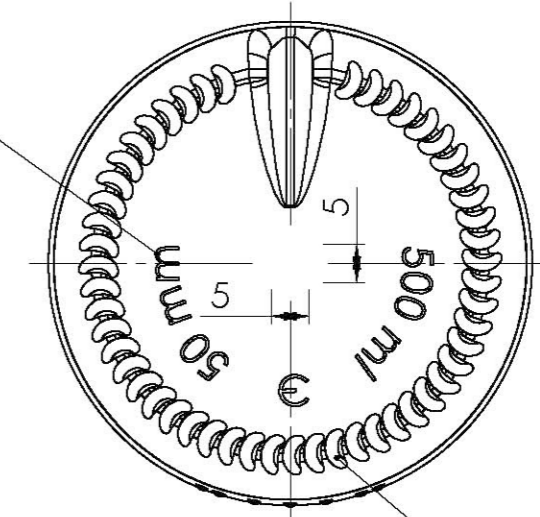


CAVITY NUMBER
HEIGHT 4mm, DEPTH 0.5mm

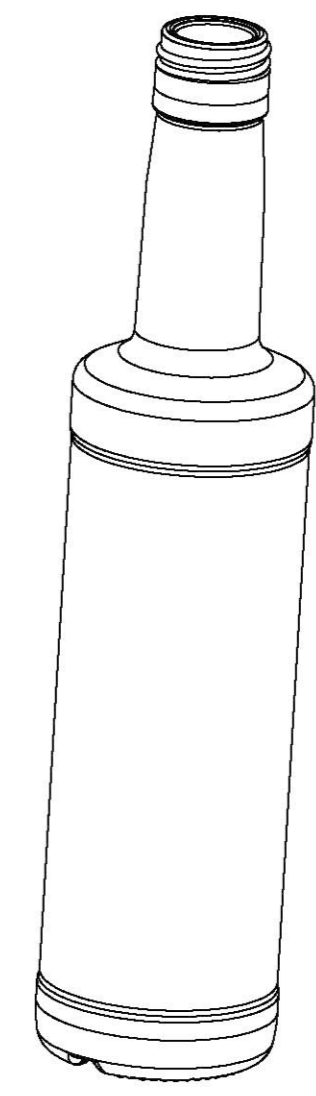
DOT CODE



CAPACITY, FILLING LINE
HEIGHT 4mm, DEPTH 0.5mm



KNURLINGS DEPTH 0.6mm



All copyrights are reserved. This technical document should not be disclosed

5		WEIGHT	345 ± 10 g
4		NOMINAL CAPACITY	500 ± 10ml
3		BRIMFUL CAPACITY	520 ml
2		COLOR	FLINT
1		FILLING LINE	50 mm
		TIP ANGLE	14°
		HEADSPACE	3.9 %
		CARBONATION	NO
		RETURNABLE	NO
		CUSTOMER	
		PRODUCTION PROCESS	BLOW&BLOW
-----REVISIONS-----			
SHEET 1/1	PRODUCT NAME:	BOTTLE GAMA 500ml.	
A2	ИЗДЕЛИЕ:	БУТИЛКА ГАМА 500ml.	
SCALE	Drawing No:	FINISH TYPE:	
1:1	126100_BOTTLE_GAMA_500ml	CETIE GME 30.06 - PP 31.5H	
	DRAWN: K.IVANOV	20/11/23	PRODUCT CODE: DATE
	CHECKED: KAMENOV	20/11/23	126100 20.11.2023
	REV.		